

BEDIENINGSORGANEN

1. Klank
2. Batterijschakelaar
3. Verlichtingsschakelaar
4. Geluidsterkte (R36)
5. Afstemming
6. FM-schakelaar
7. LG-schakelaar
8. MG-schakelaar
9. KG-schakelaar

SPECIFICATIE

| | |
|------------------|----------------------------------|
| Lange golf | 1145 - 2000 m (262 - 150 kHz) |
| Middengolf | 185,2 - 580,3 m (1622 - 517 kHz) |
| Kortegolf | 25 - 50 m (12 - 6 MHz) |
| FM | 2,88 - 3,43m (104 - 87,5MHz) |
| Luidspreker | AD 2309 SY, 8 ohm, 2 W |
| Voedingsspanning | 6 V (4 x 1,5 V) |
| Verbruik | 15-20 mA (AM) 19-24 mA (FM) |
| Uitgangsvermogen | 380 mW |
| Afmetingen | 13 x 23 x 4 cm |

AANSLUITINGEN

Oortelefoon

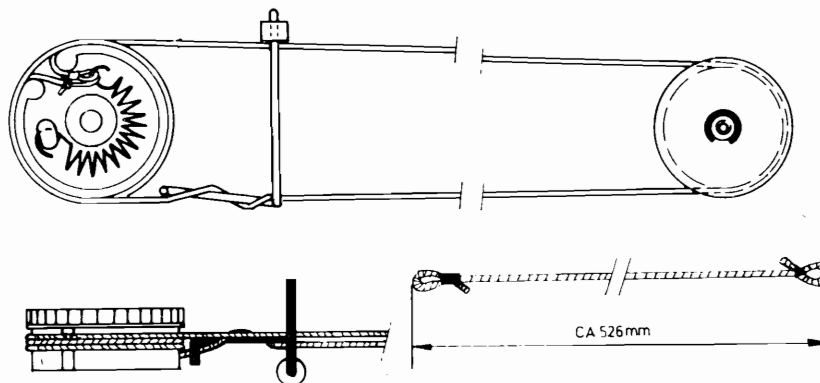
PRINCIPESHEMA pagina 109

OVERZICHT HALFGELEIDERS

| | | |
|-------|--------|---|
| TS 1 | AF 124 | HF-versterker FM |
| TS 2 | AF 125 | Oscillator en mengedeelte FM |
| TS 3 | AF 125 | Oscillator en mengedeelte AM, tevens MF-versterker FM |
| TS 4 | AF 126 | MF-versterker AM en FM |
| TS 5 | AF 126 | MF-versterker AM en FM |
| TS 6 | AC 125 | LF-voorversterker |
| TS 7 | 408 09 | LF-voorversterker |
| TS 8 | 408 09 | Eindversterker |
| TS 9 | 408 09 | Eindversterker |
| TS 10 | 408 09 | Eindversterker |
| GR 1 | AA 119 | Begrenzer |
| GR 2 | AA 119 | Regeldiode AVR |
| GR 3 | AA 119 | Detector AM |
| GR 4 | AA 119 | Detector FM |
| GR 5 | AA 119 | Detector FM |
| GR 6 | BA 114 | Stabiliseerdeiode |

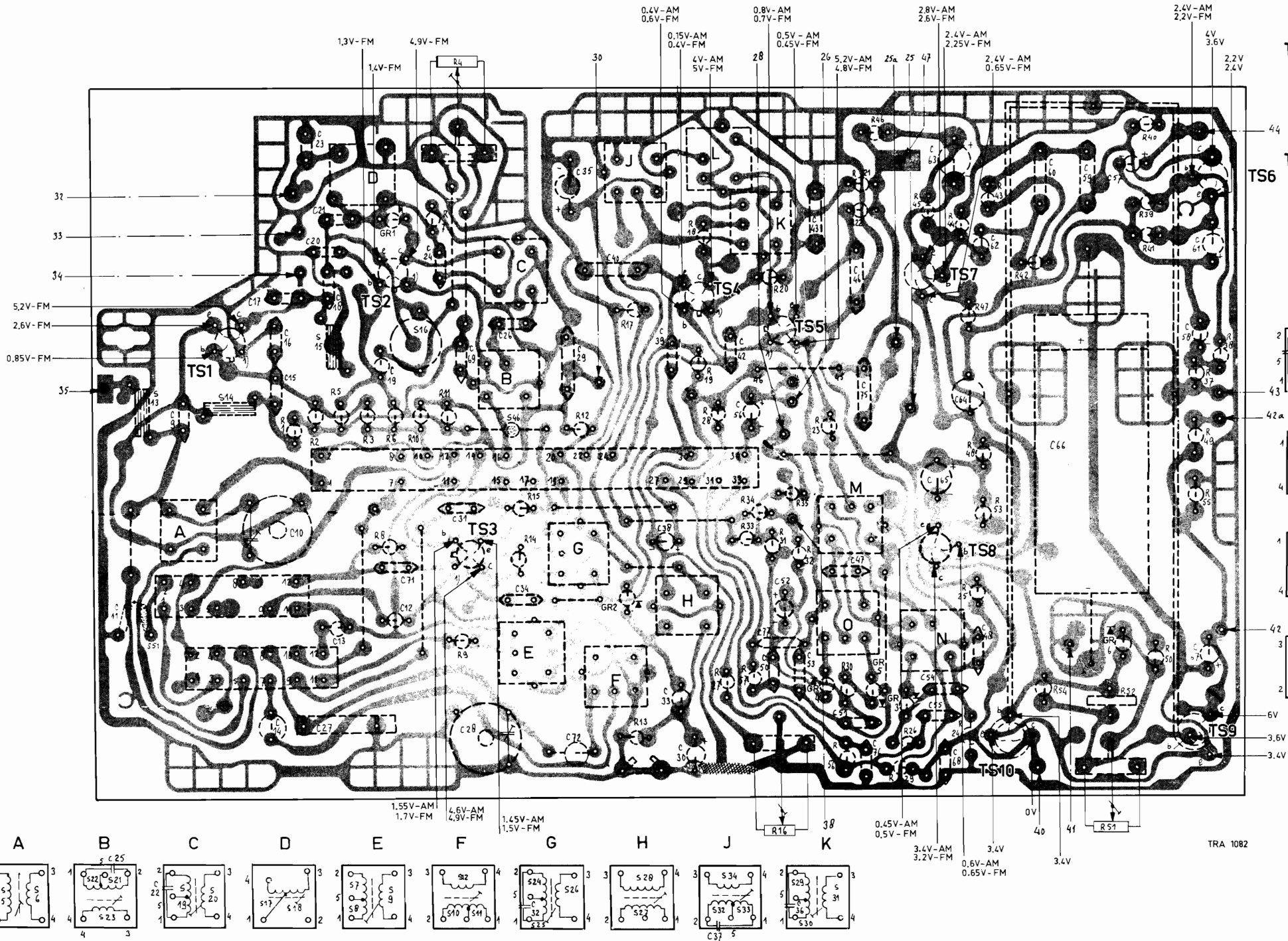
CODENUMMERS

| | |
|--|----------------|
| Front (01R) | 4822 108 00645 |
| Front (03R) | 4822 116 00843 |
| Front (52R) | 4822 116 00844 |
| Achterwand | 4822 108 00644 |
| Batterijhouder | 4822 108 00646 |
| Knop, geluidsterkteregelaar | 4822 107 00604 |
| Knop, afstemming | 4822 162 01083 |
| Telescoopantenne | 4822 108 00647 |
| Batterij/klank chakelaar | 4822 108 00648 |
| Beugel met knop geluidsterkte-regelaar/verlichting | 4822 116 00716 |
| Bus voor oortelefoon | 4822 211 00965 |
| Contactstrip voor batterijhouder | 4822 108 00649 |
| Steker met draad voor tegencapaciteit | A3 157 72 |
| Trommel, aandrijving | P5 420 65/HA |
| Schaalachtergrond | 4822 108 00659 |
| Druktoetsenheid, golfgebieden | A3 099 41 |
| Beugel met druktoetsen | 4822 097 0073 |
| Indicator, batterij/afstemming | 4822 108 00651 |
| Ferroceptor MG/LG | 4822 117 00236 |
| Variabele condensator | 4822 059 00345 |
| Geluidsterkteregelaar R36 | B1 530 82 |
| Verlichtingslampje L1 | 4822 108 00498 |

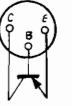


TRA1185

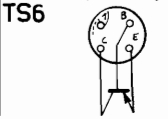
| | | | | | | | | | | | | | | | | | | | | | | | | | | | | | | | | | | | | | | | | | | | | | | | | | | | | | | | | | |
|---|--------------------------|-----|-----|-----|-----|-----|-----|-----|-----|-----|-----|-----|-----|-----|-----|-----|-----|-----|-----|-----|-----|-----|-----|-----|-----|-----|-----|-----|-----|-----|-----|-----|-----|-----|-----|-----|-----|-----|-----|-----|-----|-----|-----|-----|-----|-----|-----|-----|-----|-----|-----|-----|-----|-----|-----|-----|-----|
| S | 13. | 51. | 14. | 15. | 16. | 46. | | | | | | | | | | | | | | | | | | | | | | | | | | | | | | | | | | | | | | | | | | | | | | | | | | | |
| C | 11. | 9. | 17. | 16. | 15. | 10. | 14. | 23. | 21. | 20. | 27. | 13. | 18. | 19. | 7. | 11. | 24. | 28. | 69. | 31. | 26. | 34. | 72. | 35. | 29. | 40. | 38. | 39. | 33. | 30. | 42. | 56. | 77. | 50. | 52. | 53. | 43. | 51. | 47. | 46. | 75. | 76. | 63. | 55. | 65. | 68. | 64. | 48. | 62. | 60. | 66. | 59. | 57. | 58. | 61. | 67. | |
| R | Archief RadioDatabase.nl | | | 1. | 2. | 5. | 3. | 6. | 8. | 10. | 7. | 11. | 4. | 9. | 14. | 15. | 12. | 13. | 17. | 18. | 19. | 28. | 27. | 33. | 34. | 57. | 20. | 31. | 35. | 32. | 30. | 56. | 22. | 21. | 46. | 29. | 26. | 45. | 44. | 25. | 47. | 48. | 53. | 43. | 42. | 24. | 54. | 51. | 52. | 40. | 39. | 41. | 50. | 55. | 49. | 37. | 38. |



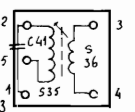
TS.678.9.10



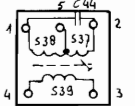
TS.12.34.5



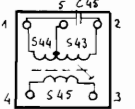
L



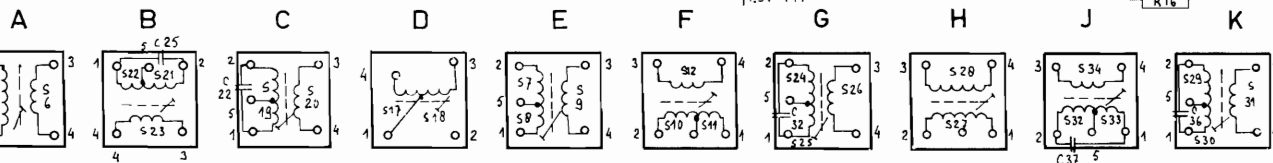
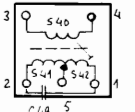
M



N

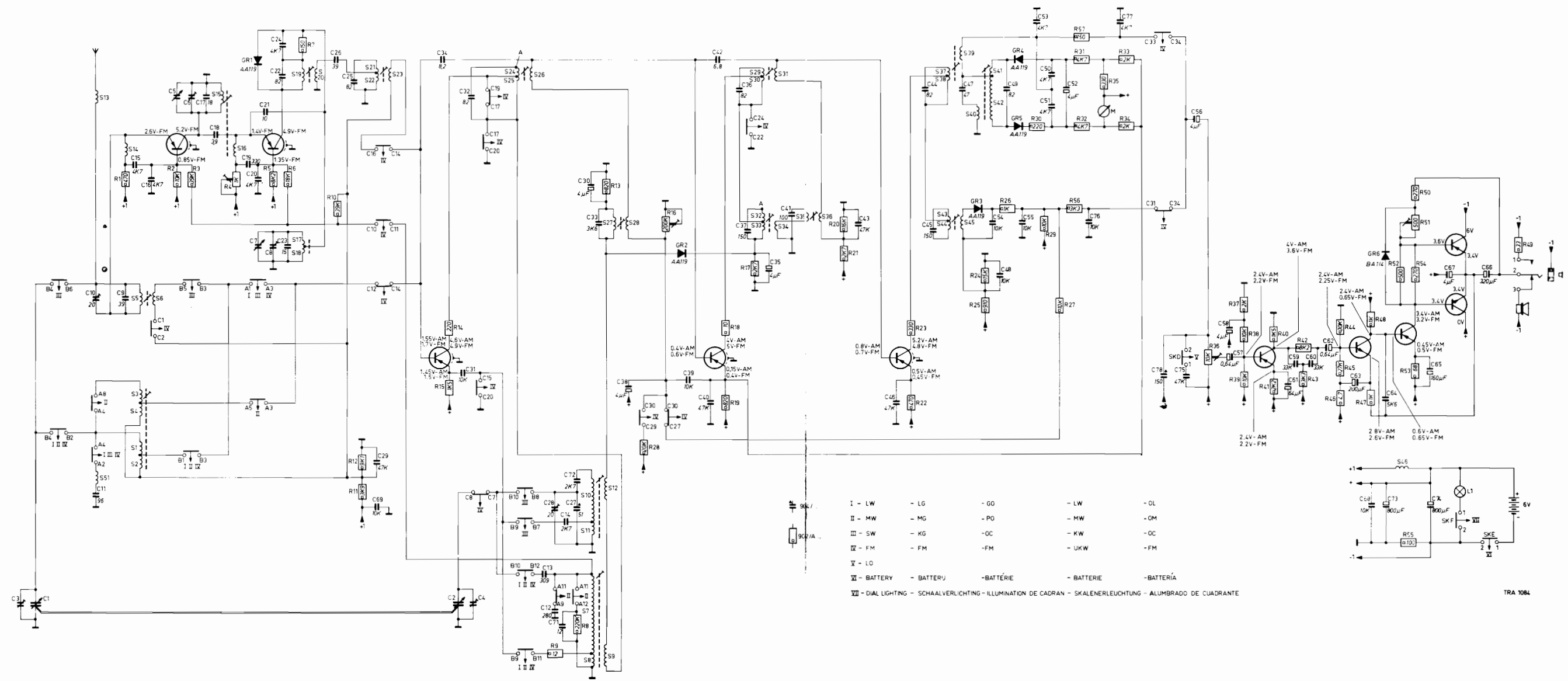


O

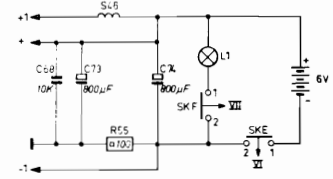


SCHEMA L 2 W 54 T

| | | | | | | | | | | | | | | | | | | | | | | | | | | | | | | | | | | | | | | | | | | | | | | | | | | | | | | | | | | | | | | | | | | | | | | | | | | | | | | | | | | | | | | | | | | | | | | | | | | | | |
|---|------|----|-----|---|----|----|----|----|----|----|----|----|----|----|----|----|----|----|----|----|----|----|----|----|----|----|----|----|----|----|----|----|----|----|----|----|----|----|----|----|----|----|----|----|----|----|----|----|----|----|----|----|----|----|----|----|----|----|----|----|----|----|----|----|----|----|----|----|----|----|----|----|----|----|----|----|----|----|----|----|----|----|----|----|----|----|----|----|----|-----|----|----|----|----|----|----|----|----|----|-----|
| S | 1113 | 14 | 1-5 | 6 | 15 | 16 | 19 | 17 | 18 | 20 | 21 | 22 | 23 | 24 | 25 | 26 | 27 | 28 | 29 | 30 | 31 | 32 | 33 | 34 | 35 | 36 | 37 | 38 | 39 | 40 | 41 | 42 | 43 | 44 | 45 | 46 | 47 | 48 | 49 | 50 | 51 | 52 | 53 | 54 | 55 | 56 | 57 | 58 | 59 | 60 | 61 | 62 | 63 | 64 | 65 | 66 | 67 | 68 | 69 | 70 | 71 | 72 | 73 | 74 | 75 | 76 | 77 | 78 | 79 | 80 | 81 | 82 | 83 | 84 | 85 | 86 | 87 | 88 | 89 | 90 | 91 | 92 | 93 | 94 | 95 | 96 | 97 | 98 | 99 | 100 | | | | | | | | | | |
| R | 1 | 2 | 3 | 4 | 5 | 6 | 7 | 8 | 9 | 10 | 11 | 12 | 13 | 14 | 15 | 16 | 17 | 18 | 19 | 20 | 21 | 22 | 23 | 24 | 25 | 26 | 27 | 28 | 29 | 30 | 31 | 32 | 33 | 34 | 35 | 36 | 37 | 38 | 39 | 40 | 41 | 42 | 43 | 44 | 45 | 46 | 47 | 48 | 49 | 50 | 51 | 52 | 53 | 54 | 55 | 56 | 57 | 58 | 59 | 60 | 61 | 62 | 63 | 64 | 65 | 66 | 67 | 68 | 69 | 70 | 71 | 72 | 73 | 74 | 75 | 76 | 77 | 78 | 79 | 80 | 81 | 82 | 83 | 84 | 85 | 86 | 87 | 88 | 89 | 90 | 91 | 92 | 93 | 94 | 95 | 96 | 97 | 98 | 99 | 100 |
| C | 1 | 2 | 3 | 4 | 5 | 6 | 7 | 8 | 9 | 10 | 11 | 12 | 13 | 14 | 15 | 16 | 17 | 18 | 19 | 20 | 21 | 22 | 23 | 24 | 25 | 26 | 27 | 28 | 29 | 30 | 31 | 32 | 33 | 34 | 35 | 36 | 37 | 38 | 39 | 40 | 41 | 42 | 43 | 44 | 45 | 46 | 47 | 48 | 49 | 50 | 51 | 52 | 53 | 54 | 55 | 56 | 57 | 58 | 59 | 60 | 61 | 62 | 63 | 64 | 65 | 66 | 67 | 68 | 69 | 70 | 71 | 72 | 73 | 74 | 75 | 76 | 77 | 78 | 79 | 80 | 81 | 82 | 83 | 84 | 85 | 86 | 87 | 88 | 89 | 90 | 91 | 92 | 93 | 94 | 95 | 96 | 97 | 98 | 99 | 100 |



- | | | | | |
|---------------------|---------------------|--------------------------|---------------------|--------------------------|
| I - LW | - LG | - GO | - LW | - OL |
| II - MW | - MG | - PO | - MW | - OM |
| III - SW | - KG | - OC | - KW | - OC |
| IV - FM | - FM | - FM | - UKW | - FM |
| V - LO | | | | |
| VI - BATTERY | - BATTERY | - BATTERIE | - BATTERIE | - BATTERIA |
| VII - DIAL LIGHTING | - SCHAALVERLICHTING | - ILLUMINATION DE CADRAN | - SKALENERLEUCHTUNG | - ALUMBRADO DE CUADRANTE |



TRA 1084